
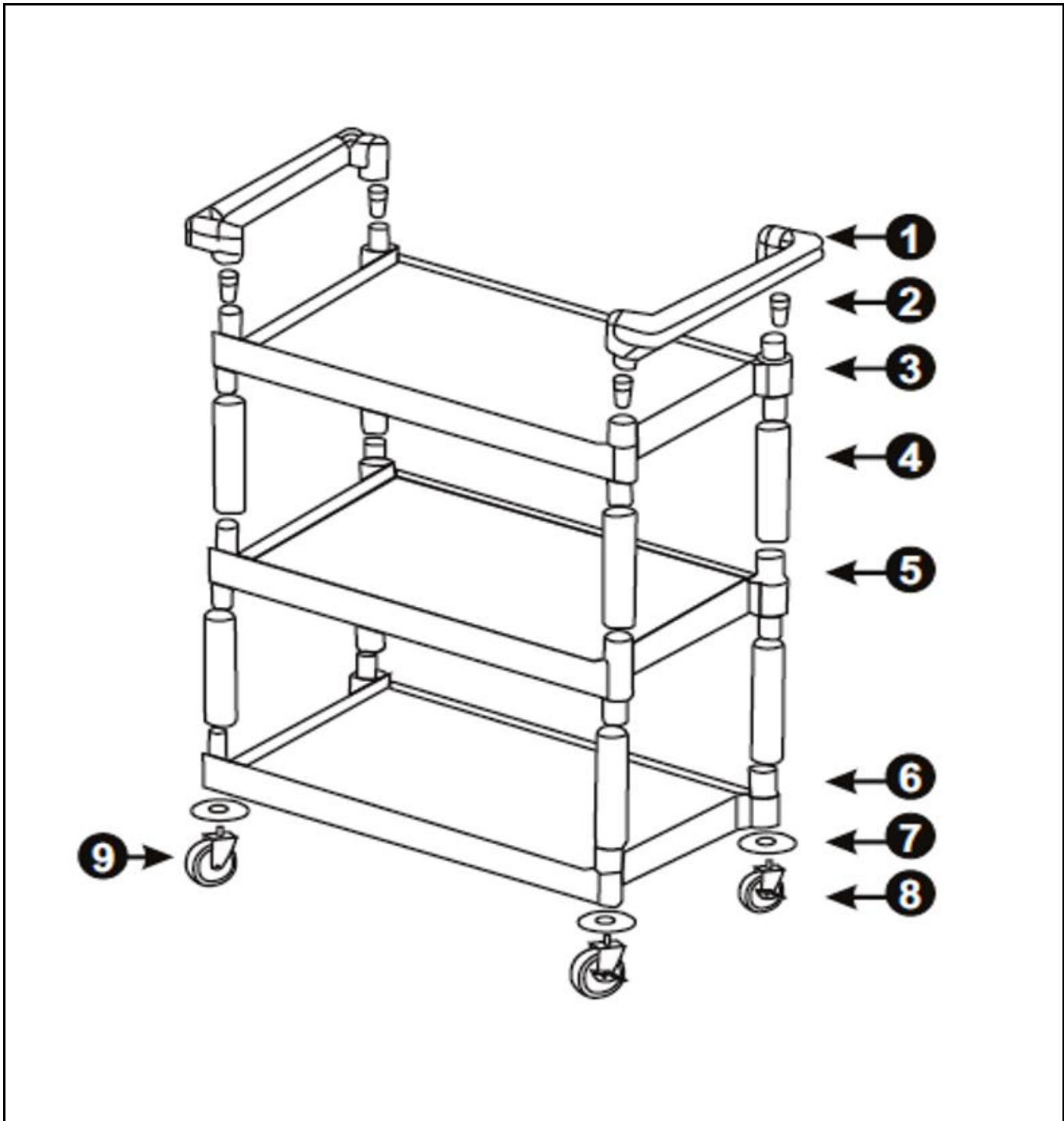



Drawing

 HENDI FOOD SERVICE EQUIPMENT Hendi B.V. Steenoven 21 3911 TX Rhenen The Netherlands	Batch #	Appliance part#
	0000000	810200
	Description	
	Serving trolley	

Date	13-12-2013	Revision #	Revision version
Revision	Fisrt bill of materials (BOM)		



Bill of materials (BOM)

 HENDI FOOD SERVICE EQUIPMENT Hendi B.V. Steenoven 21 3911 TX Rhenen The Netherlands	Batch #	Appliance part#
	0000000	810200
	Description	
Serving trolley		

Date	13-12-2013	Revision #	Revision version
Revision	Fisrt bill of materials (BOM)		

Item	Description	Part#	Quantity	Remark	Picture
1	Handle	931912	2		
2	Coupling piece	931929	4		
3	Upper tray	931936	1		
4	Spacer	931943	8		
5	Middle tray	931950	1		
6	Lower tray	931967	1		
7	Bumper	931974	4		
8	Wheel with brake	931479	2		
9	Wheel	931462	2		

n/a -> not available

nss -> not sold separately